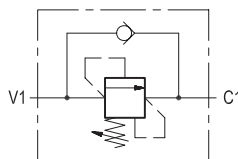


Druckfolgeventil VSQ-30-N Valve de séquence VSQ-30-N

RE 18309-85/04.10 1/2
Replaces: RE 00171/02.07

VSQ-30

05.21.07 - X - Y - Z



Description

Initially, the flow goes to a side line connected to V1, not shown here, and energizes a first actuator until pressure increases to meet the selected valve setting; then flow opens the relief cartridge and passes from V1 to C1 energizing the second actuator connected to C1. Note that pressure at C1, i.e. the pressure needed to operate the second actuator, is additive to the relief setting of the valve. The hydraulic damping of the relief poppet provides enhanced stability at all flows. The check valve allows reverse flow, from C1 to V1.

Technical data

Hydraulic

Operating pressure	bar (psi)	up to 210 (3000)
Max. flow	l/min (gpm)	30 (8)

Pressure drop curves are shown with zero back pressure on "C1" port.

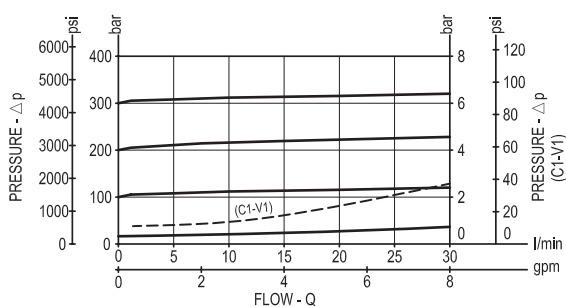
This valve is successfully employed when the pressure needed to move the secondary actuator is not very high.

General

Manifold material	Aluminium	
Note: aluminium bodies are often strong enough for operating pressures exceeding 210 bar (3000 psi), depending from the fatigue life expected in the specific application. If in doubt, consult our Service Network.		
Weight	kg (lbs)	0.81 (1.79)
Fluid temperature range	°C (°F)	between -30 (-22) and +100 (212)
Other technical data	see data sheet RE 18350-50	

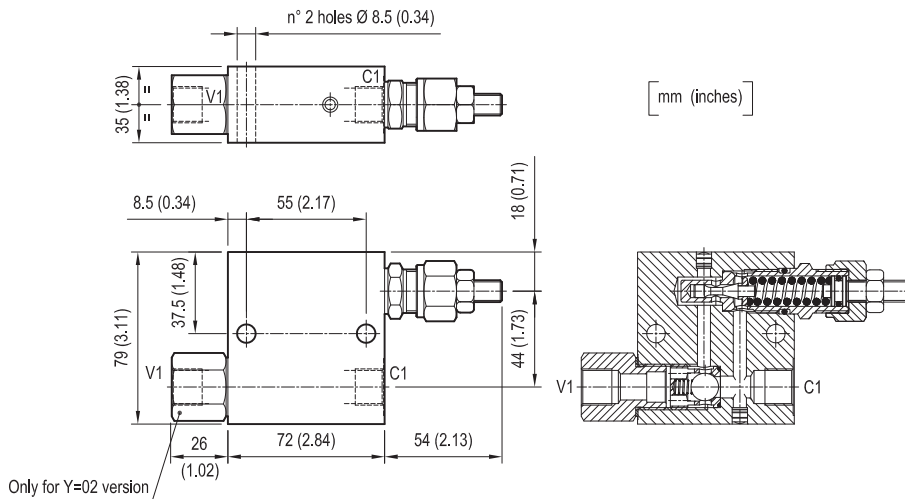
Note: for applications outside these parameters, please consult us.

Performance



Druckfolgeventil VSQ-30-N (230379) Valve de séquence VSQ-30-N

Dimensions



Ordering code

05.21.07	X	Y	Z
----------	---	---	---

Sequence,
direct acting poppet type

Adjustments

= 03 Leakproof hex. socket screw



Port sizes	V1	C1	
= 02	G 3/8	G 3/8	
= 03	G 1/2	G 1/2	

SPRINGS

	Adj. pressure range bar (psi)	Pres. increase bar/turn (psi/turn)	Std. setting Q=5 (l/min.) bar (psi)
= 05	5-50 (75-725)	12 (174)	50 (725)
= 10	30-100 (435-1450)	24 (348)	100 (1450)
= 20	50-210 (725-3000)	47 (682)	200 (2900)
= 35	100-350 (1450-5000)	82 (1189)	350 (5000)

Tamper resistant cap
code 11.04.23.003

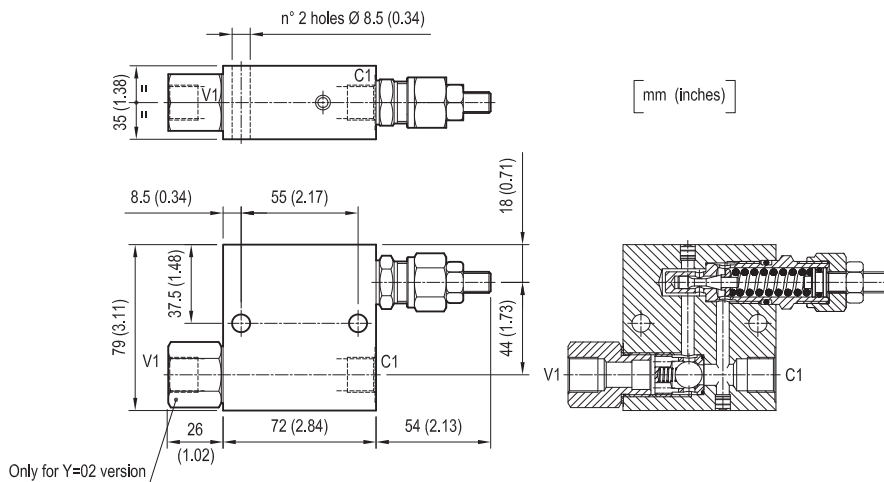


Type	Material number
052107030205000	R930001418
052107030210000	R930001419
052107030220000	R930001420
052107030235000	R930001421
052107030305000	R930001423
052107030310000	R930001424
052107030320000	R930001425
052107030335000	R930001428

Type	Material number

Druckfolgeventil VSQ-30-N (230380) Valve de séquence VSQ-30-N

Dimensions



Ordering code

05.21.07	X	Y	Z
----------	---	---	---

Sequence,
direct acting poppet type

Adjustments

= 03 Leakproof hex. socket screw



Port sizes	V1	C1	
= 02	G 3/8	G 3/8	
= 03	G 1/2	G 1/2	

SPRINGS

	Adj. pressure range bar (psi)	Pres. increase bar/turn (psi/turn)	Std. setting Q=5 (l/min.) bar (psi)
= 05	5-50 (75-725)	12 (174)	50 (725)
= 10	30-100 (435-1450)	24 (348)	100 (1450)
= 20	50-210 (725-3000)	47 (682)	200 (2900)
= 35	100-350 (1450-5000)	82 (1189)	350 (5000)

Tamper resistant cap
code 11.04.23.003



Type	Material number
052107030205000	R930001418
052107030210000	R930001419
052107030220000	R930001420
052107030235000	R930001421
052107030305000	R930001423
052107030310000	R930001424
052107030320000	R930001425
052107030335000	R930001428

Type	Material number